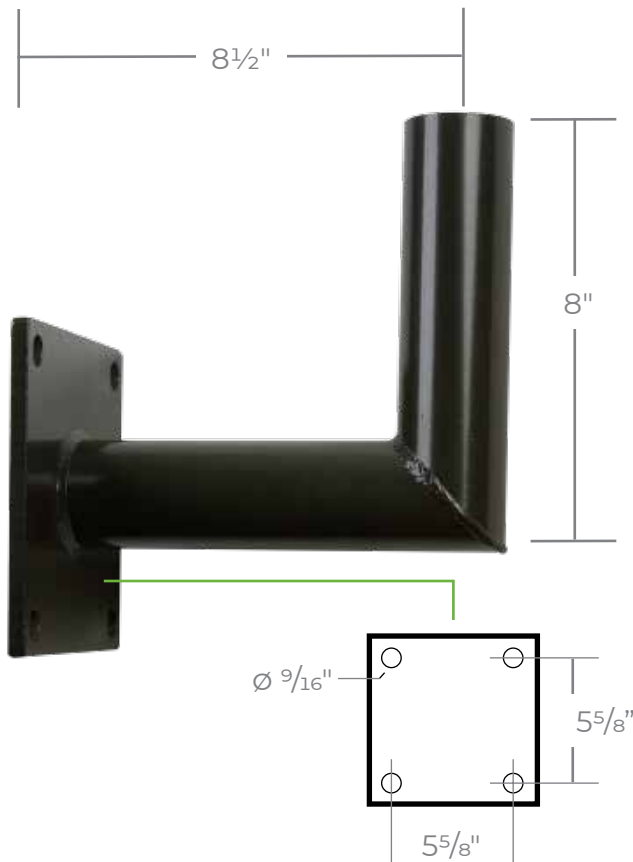


# RABH HEAVY RIGHT ANGLE BRACKET



## FEATURES

- Pipe Size 2" A 8 1/2"
- Mounting hardware not included
- 9/16" diameter mounting holes
- 7" square mounting plate
- Bronze Standard; Black Option

## TECHNICAL SPECIFICATIONS

Construction	Steel
Finish	Bronze standard; black option
Mounting	Pole mount
Applications	Outdoors
Maximum Load	100lbs
EPA	0.410 ft <sup>2</sup>

**PRODUCT CODE GENERATOR** Some combinations of adders may not be possible, email [quotes@ecopowerinc.com](mailto:quotes@ecopowerinc.com) for further info.

**SNC-RABH-P** -

↓

**Options**

### Colour (Bronze standard)

- BLK Black
- BRZ Bronze

