

# ECG FULL SPECTRUM LED GROW LIGHT



Engineered using the science of nature, Ecopower's ECG Full Spectrum LED Grow Light is designed to replace existing 500-600w Dual End Bulbs, Metal Halide, and High Pressure Sodium fixtures. With optimal PPF and  $\mu\text{mol}$  engineered by IES certified lighting analysts, it simulates natural sunlight by providing full spectrum light for both vegetative and flower growth.

For optimal performance, combine with a pre-spaced EcoGROW mounting frame precisely engineered for specific bed sizes, with an optional integrated winch system allowing easy height adjustments to accommodate plant growth.

## FEATURES

- Samsung LED Grow Light Chips Peaking in the 380 - 780 Nanometer Ranges Offer Optimum Performance
- PPF and  $\mu\text{mol}$  Engineered by IES Certified Lighting Analysts
- Ideal for Use with the Precisely Engineered EGCD Pre-Spaced Mounting Frame to Provide Optimal Light for 4'<sup>2</sup> and 5'<sup>2</sup> Bed Sizes and Ease of Wiring
- IP65 Rated Water Resistant Housing Perfect for Wet and Humid Environments and Safe For Outdoor Use
- Removable Glass Cover for Indoor Use, With 10% Increase in Total PPF
- Extra Efficient Heatsinks Lower Overall Ambient Room Temperature
- Perfect Product for Flowers, Fruits, Cannabis Sativa, etc.

## OPTIONS

- Plug end option
- Winch System

EFFICACY	PPF	WATTAGE
up to <b>2.3 <math>\mu\text{mol}/\text{J}</math></b>	up to <b>575 <math>\mu\text{mol}/\text{s}</math></b>	<b>240w</b>

## TECHNICAL SPECIFICATIONS

Housing	Die-casting AL
Finish	Powder coated black
Mounting	Hook/Bracket
Mounting Height	$\geq 6"$ (15.2cm) Above Canopy
Thermal Management	Passive Self-Cooling Technology

## ELECTRICAL SPECIFICATIONS

LED Engine	Samsung
Spectrum	EGSpectrum Indoor, EGSpectrum Greenhouse
Available Wattages	240w
Ambient temperature	-30° to 45°C
Input Voltage	Autosensing 100-277v
Dimming	0-10v
Available Voltages	100-277vAC standard

## OPTICAL & PERFORMANCE SPECIFICATIONS

Efficacy (LED)	Up to 2.3 $\mu\text{mol}/\text{J}$ with 120°
IP Rating	IP65 with cover / IP40 without cover
PPF*	575 $\mu\text{mol}/\text{s}$
CRI	>80
Light Distribution	120°
L90	>80,000
L70	>50,000
Certifications	Approved to CSA and UL standards (UL, or equivalent, marked only when specified), ETL and cETL listed.

\*  $\pm 8\%$  output



info@ecopowerinc.com | ecoled.ecopowerinc.com | 1.800.564.8086

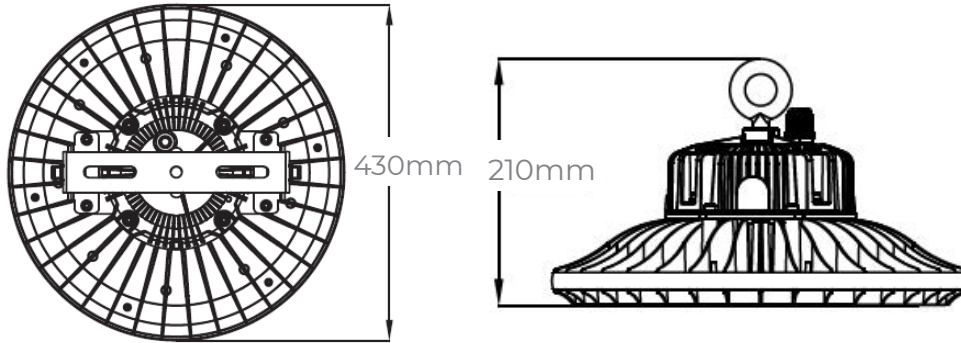


A Canadian Manufacturer

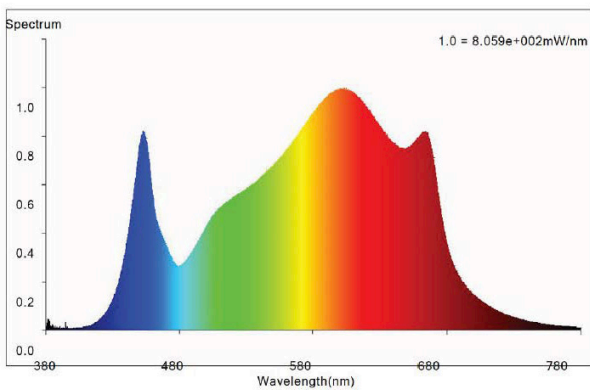
# ECG FULL SPECTRUM LED GROW LIGHT



## DIMENSIONS



## SPECTRUM

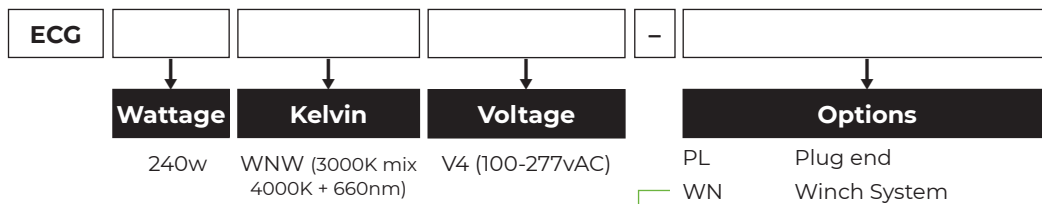


## EGSPECTRUM INDOOR

For cannabis blooming, veg and flowering, and growth.

## PRODUCT CODE GENERATOR

Some combinations of adders may not be possible, email quotes@ecopowerinc.com for further info.



info@ecopowerinc.com | ecoled.ecopowerinc.com | 1.800.564.8086



# ECG FULL SPECTRUM LED GROW LIGHT

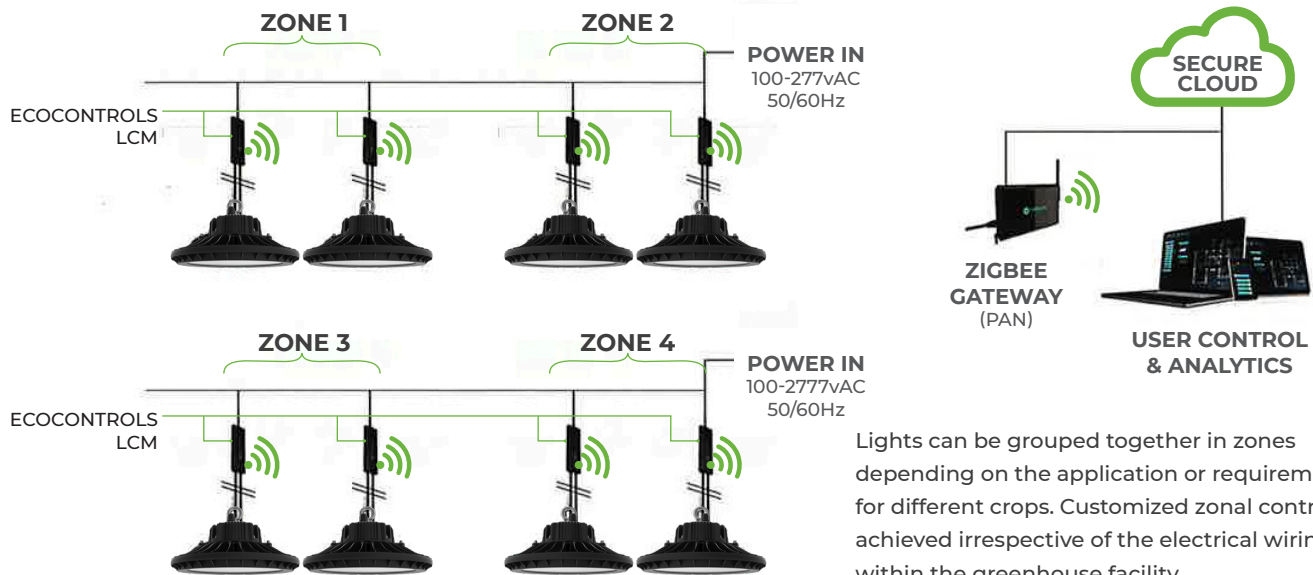
**ecOLED™**  
A DIVISION OF **ecPOWER**

## ECOCONTROLS INTEGRATIONS

**ecoCONTROLS™**  
WITH INTEGRATED **nebula**  
TECHNOLOGY

The **ecOGROW Grow Light Control System** is a wireless distributed lighting control system perfect for the innovative EcoGROW line of full spectrum grow lights from EcoLED.

Our Grow Light Control System allow growers to address each light individually, in groups, or in zones - which can be reprogrammed wirelessly on the spot. EcoGROW provides optimal lighting distribution and flexibility within the lighting layout.



Lights can be grouped together in zones depending on the application or requirements for different crops. Customized zonal controls are achieved irrespective of the electrical wiring within the greenhouse facility.

**ecOCLIMATE Climate Control Management** from EcoCONTROLS is a wireless process control system that is capable of measuring and controlling multiple greenhouse departments. It can communicate with 1000+ outputs for controlling a myriad of systems including:

- Heating and cooling
- Vents & Fans
- CO2
- Boilers
- Lighting shading
- On-off heating valves
- Fertilizer delivery system
- Water recycling system
- pH and EC levels

**ecOCLIMATE** is easy to install. It comes with ethernet/internet access which makes remote access a breeze. Our Climate Control Technology works round the clock to optimize the greenhouse climate, increase crop yields, reduce energy costs, and protect the greenhouse against harsh weather conditions.



**WIRELESS CONTROL**

**OPTIMIZED PLANT GROWTH**

**REDUCES ENERGY, WATER, AND FERTILIZER**

info@ecopowerinc.com | ecoled.ecopowerinc.com | 1.800.564.8086



A Canadian  
Manufacturer